



wieland



selos NEW GENERATION

AT A **GLANCE**

Terminal Block Overview.



SELOS NEW GENERATION FAMILIAR NAME – VERSATILE PROGRAM.

For years, selos by Wieland Electric has been synonymous with premium-quality terminal blocks. Now, with the launch of our New Generation, we're taking performance and versatility to the next level. This updated product line unifies all connection types – screw and push-in technology – under one trusted name, along with perfectly matched accessories. The result: a streamlined offering, easier selection, and our continued commitment to uncompromising quality.



SIMPLIFY YOUR PLANNING WITH SELOS PLAN

Our intuitive planning tool, selos PLAN, streamlines every step of your configuration and project design. With a product-based interface, it delivers a clear, visual representation of your DIN rail assembly.



RELIABLE CONNECTIONS – FAST, SAFE, AND FLEXIBLE

Our **selos**WTPN terminal blocks with **push-in technology** enable fast, tool-free wiring – safe and efficient every time. For maximum versatility, the **selos**WTD series offers trusted **screw connection technology**, making it ideal for a wide range of applications. Both series share a perfect matching accessory concept and are fully supported by our intuitive planning tool, selos PLAN, ensuring a smooth and efficient project workflow from design to build.



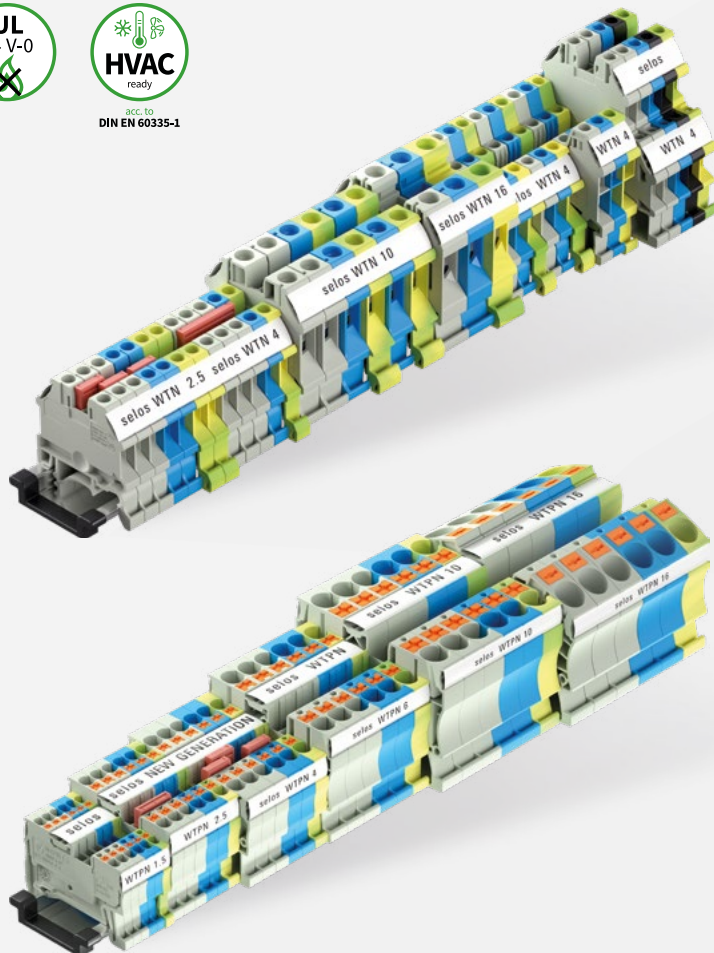
MARKING MADE EASY

Clean, clear and accurate labeling is essential for a well-organized control cabinet. Using our high-performance marking system with selos PLAN, you can easily create terminal block marking tags, labels, and cable markers for every application. Our new endless marking system makes the process also more cost effective.



NEW PRODUCT SERIES

SELOS WTN + SELOS WTPN



SELOS WTN




- Connection type:
Screw connection
- Connecting wires:
**from 0.14 mm² to 240 mm²
or 26 AWG to 500 kcmil**



SELOS WTPN

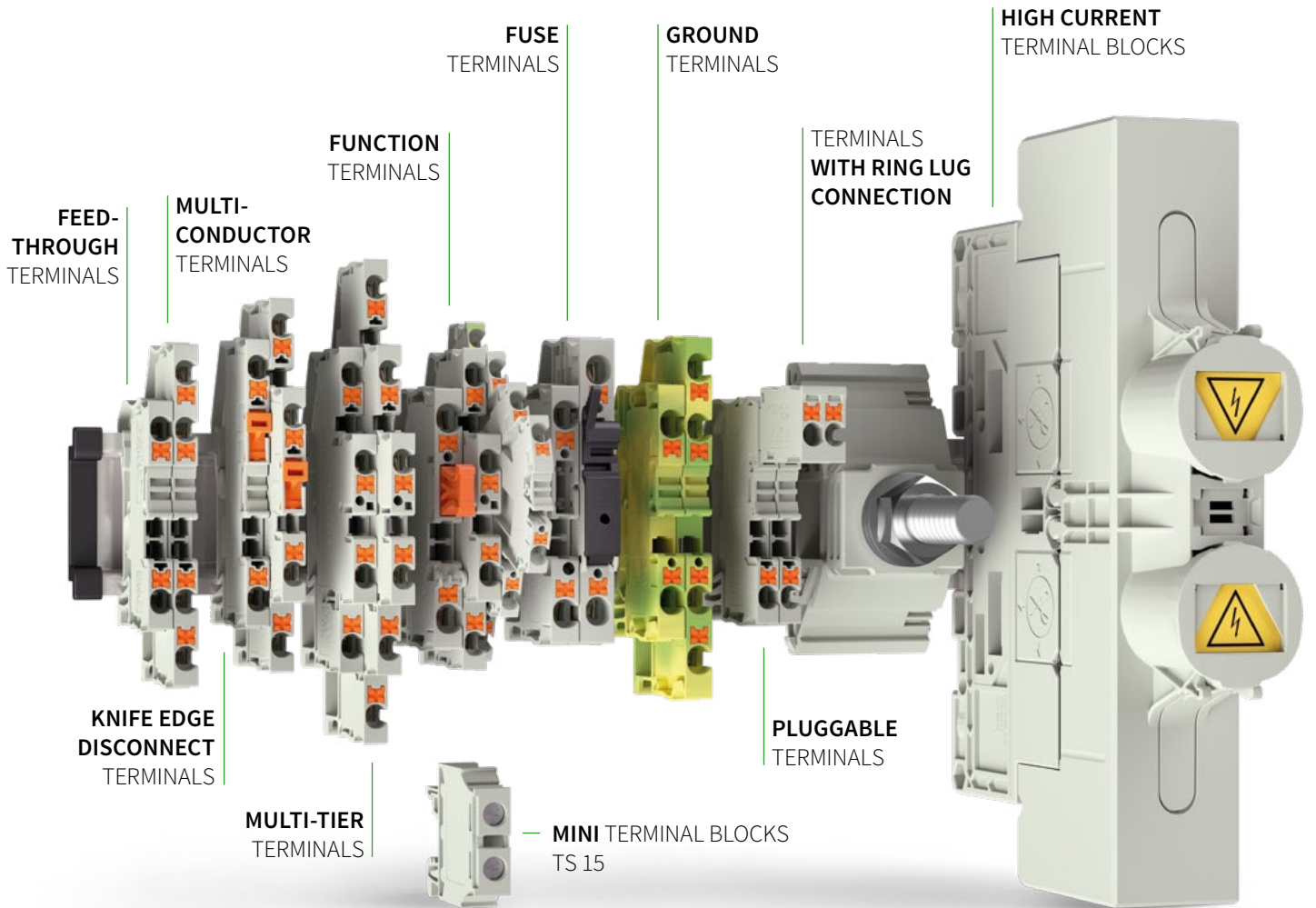
- Connection type:
Push-in connection
- Connecting wires:
**from 0.14 to 25 mm²
or 26 AWG to 4 AWG**

YOUR BENEFITS

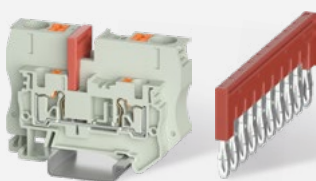
- + Compact design, with multi-tier version
→ **up to 66% space saving with the 3-tier version**
- + RoHS-compliant (lead-free) without exceptions
- + Relevant market approvals   
- + EPLAN data, online configurator (selos PLAN)
→ **continuous project support**
- + Extensive accessory system for Push-in & screw technology,
e.g. reduction jumpers for connection between different
din rail terminal cross sections
→ **less inventory, more efficiency, higher flexibility**



OVERVIEW OF TERMINAL TYPES



COMPREHENSIVE ACCESSORY SYSTEM FOR BOTH SERIES



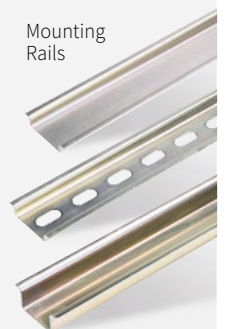
End Plates



Tools



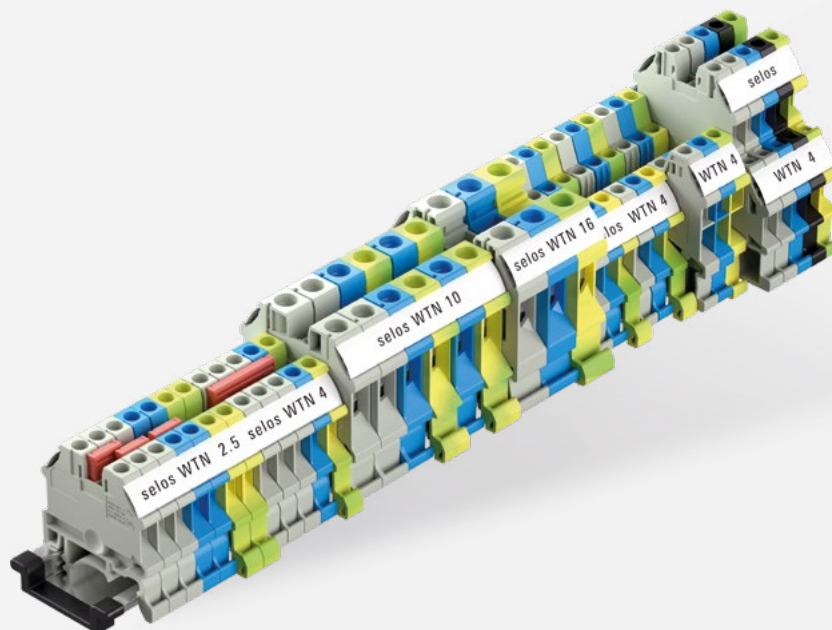
Marking tags



Mounting Rails

SELOS WTN – DIN RAIL TERMINAL BLOCKS WITH **SCREW CONNECTION.**

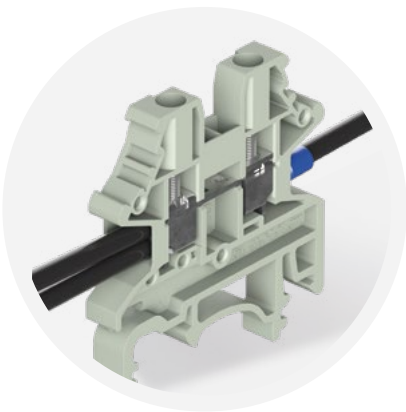
Reliable connection, proven concept! selos WTN with tried-and-true screw connection – trusted by professionals worldwide for many years and millions of installations. This new series combines the classic screw connection with modern advancements like universal screw-head (slot and Phillips), push-in jumpers, planning and design software, marking systems, and much more.



FEATURES:

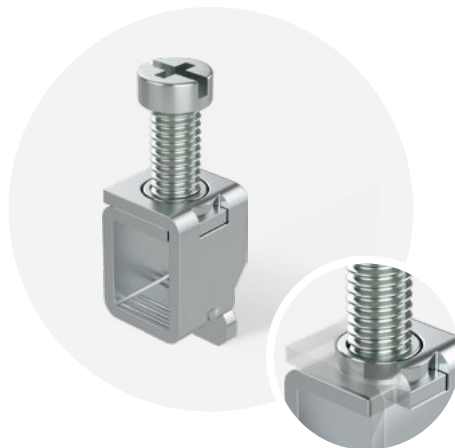
- + 2, 3 or 4 connection feed through or ground terminal blocks
- + 2 or 3 tier, multi-level terminal blocks
- + Fuse, knife disconnect, and current transformer disconnect terminal blocks
- + Special function terminal blocks – sensor, diode, pluggable, mini and more
- + Compact and uniform design with streamlined accessories
- + Support wires from 0.14 mm² to 240 mm² / 26 AWG to 500 kcmil up to 380 amps





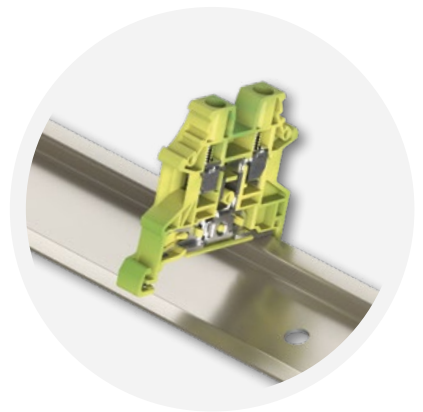
MORE WAYS TO CONNECT

- Multi-wire connection
- Connect with or without ferrules



RELIABLE AND MAINTENANCE-FREE

- Universal screw-head for flathead or Phillips screwdriver
- Vibration resistant clamping design

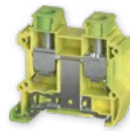
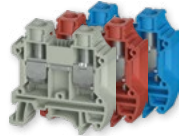


TIME-SAVING ASSEMBLY

- Screwless, snap-on ground terminals

FEED-THROUGH TERMINALS

16 mm² / AWG 3



Part. No:	5D.S16.0055.0/5/6	5D.S16.9055.0	5D.S16.1755.0		
Type:	WTN 16 -/RT/BL	WTN 16 PE	WRTN 16 M5		
Cross section: max. mm ² / AWG	16 mm ² / 3	16 mm ² / 3	16 mm ² / 4		
Current: IEC/UL (CAN+USA) (A)	76 / 100		76 / 85		
Voltage: IEC/UL (CAN+USA) (V)	1000 / 600	1000 / 600	1000 / 1000		
Color:	● ● ●	●	●		

25 mm² / AWG 3 + 4



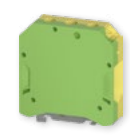
Part. No:	5D.S25.1555.0	5D.S25.1655.0			
Type:	WRTN 25	WRTN 25 U			
Cross section: max. mm ² / AWG	25 mm ² / 4	25 mm ² / 3			
Current: IEC/UL (CAN+USA) (A)	101 / 85	101 / 85			
Voltage: IEC/UL (CAN+USA) (V)	1500 / 1500	1500 / 1500			
Color:	●	●			

35 mm² / AWG 1, 2 + 3



Part. No:	5D.S35.0055.0/5/6	5D.S35.9055.0	5D.S35.1555.0	5D.S35.1655.0	5D.S35.1755.0
Type:	WTN 35 -/RT/BL	WTN 35 PE	WRTN 35	WRTN 35 U	WRTN 35 M6
Cross section: max. mm ² / AWG	35 mm ² / 1	35 mm ² / 3	35 mm ² / 1	35 mm ² / 1	35 mm ² / 2
Current: IEC/UL (CAN+USA) (A)	125 / 150		125 / 130	125 / 130	125 / 115
Voltage: IEC/UL (CAN+USA) (V)	1000 / 600	1000 / 600	1500 / 1500	1500 / 1500	1000 / 1000
Color:	● ● ●	●	●	●	●

50 mm² / AWG 1 + 6



Part. No:	5D.S50.0055.0/5/6	5D.S50.9055.0	5D.S50.1555.0	5D.S50.1655.0	5D.S50.1755.0
Type:	WTN 50 -/BL	WTN 50 PE	WRTN 50	WRTN 50 U	WRTN 50 M8
Cross section: max. mm ² / AWG	50 mm ² / 1	50 mm ² / 6	50 mm ² / 1	50 mm ² / 1	50 mm ² / 1
Current: IEC/UL (CAN+USA) (A)	150 / 150		150 / 150	150 / 150	150 / 150
Voltage: IEC/UL (CAN+USA) (V)	1000 / 600	1000 / 600	1500 / 1500	1500 / 1500	1000 / 1000
Color:	● ● ●	●	●	●	●

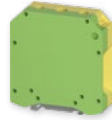
70 mm² / AWG 2/0



Part. No:	5D.S70.1555.0	5D.S70.1655.0			
Type:	WRTN 70	WRTN 70 U			
Cross section: max. mm ² / AWG	70 mm ² / 2/0	70 mm ² / 2/0			
Current: IEC/UL (CAN+USA) (A)	192 / 175	192 / 175			
Voltage: IEC/UL (CAN+USA) (V)	1500 / 1500	1500 / 1500			
Color:	●	●			

FEED-THROUGH TERMINALS

95 mm² / AWG 4/0



Part. No:	5D.S95.0055.0/5/6	5D.S95.9055.0	5D.S95.1555.0	5D.S95.1655.0	
Type:	WTN 95 -/RT/BL	WTN 95 PE	WRTN 95	WRTN 95 U	
Cross section: max. mm ² / AWG	95 mm ² / 4/0	95 mm ² / 4/0	95 mm ² / 4/0	95 mm ² / 4/0	
Current: IEC/UL (CAN+USA) (A)	232 / 230		232 / 230	232 / 230	
Voltage: IEC/UL (CAN+USA) (V)	1000 / 600	1000 / 600	1500 / 1500	1500 / 1500	
Color:	● ● ●	●	●	●	

120 mm² / 250 kcmil



Part. No:	5D.S96.1555.0	5D.S96.1655.0	5D.S96.1755.0	5D.S96.1855.0	
Type:	WRTN 120	WRTN 120 U	WRTN 120 M10	WRTN 120 M12	
Cross section: max. mm ² / kcmil	120 mm ² / 250	120 mm ² / 250	120 mm ² / 250	120 mm ² / 250	
Current: IEC/UL (CAN+USA) (A)	269 / 255	269 / 255	269 / 255	269 / 255	
Voltage: IEC/UL (CAN+USA) (V)	1500 / 1500	1500 / 1500	1000 / 1000	1000 / 1000	
Color:	●	●	●	●	

150 mm² / 300 kcmil



Part. No:	5D.S97.0055.0/5/6		5D.S97.1555.0	5D.S97.1655.0	
Type:	WTN 150 -/RT/BL		WRTN 150	WRTN 150 U	
Cross section: max. mm ² / kcmil	150 mm ² / 300		150 mm ² / 300	150 mm ² / 300	
Current: IEC/UL (CAN+USA) (A)	192 / 275		309 / 285	309 / 285	
Voltage: IEC/UL (CAN+USA) (V)	1000 / 600		1500 / 1500	1500 / 1500	
Color:	● ● ●		●	●	

185 mm² / 350 kcmil



Part. No:	5D.S98.1555.0	5D.S98.1655.0			
Type:	WRTN 185	WRTN 185 U			
Cross section: max. mm ² / kcmil	185 mm ² / 350	185 mm ² / 350			
Current: IEC/UL (CAN+USA) (A)	353 / 310	353 / 310			
Voltage: IEC/UL (CAN+USA) (V)	1500 / 1500	1500 / 1500			
Color:	●	●			

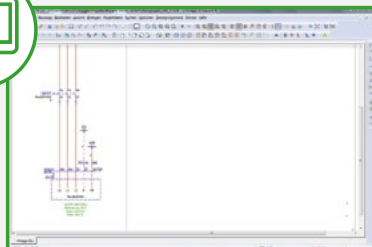
240 mm² / 500 kcmil



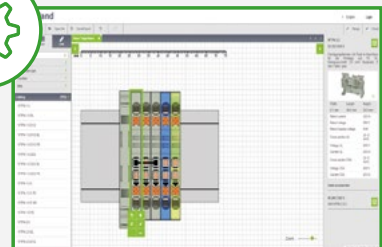
Part. No:	5D.S99.0055.0/5/6		5D.S99.1555.0	5D.S99.1655.0	
Type:	WTN 240 -/RT/BL		WRTN 240	WRTN 240 U	
Cross section: max. mm ² / kcmil	240 mm ² / 500		240 mm ² / 500	240 mm ² / 500	
Current: IEC/UL (CAN+USA) (A)	415 / 370		415 / 380	415 / 380	
Voltage: IEC/UL (CAN+USA) (V)	1000 / 600		1500 / 1500	1500 / 1500	
Color:	● ● ●		●	●	

SELOS PLAN

Online terminal block configurator.
The **quick** way to a complete pre-assembled **DIN RAIL**:



Design in CAE system



Product selection

STEP
01

STEP
02

FAST PLANNING

The simple integration of selos PLAN into your CAE environment will enable you to plan and respond much faster.

COMPLETE DOCUMENTATION

At the touch of a button, you can download the complete documentation for your configured assembly including a bill of material - no registration required.

QUICK PRICING

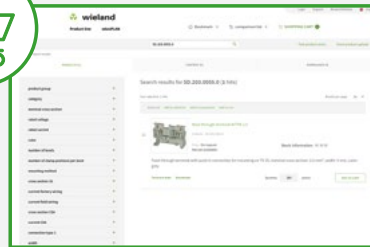
Send your selos PLAN file to us and receive immediately your specific offer fully fitting your requirements.

SPEED UP PROCESSES CREATE EFFICIENCIES

Tight deadlines and last-minute design changes? No problem. As your trusted partner, we're equipped to handle short timeframes and small batch sizes – delivering accurate results, on time, every time. You can count on us!



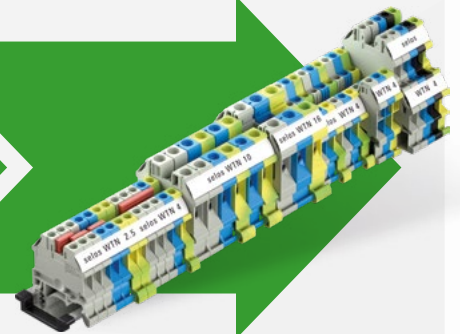
Documentation



Price inquiry / Order

**STEP
03**

**STEP
04**



REDUCE COSTS

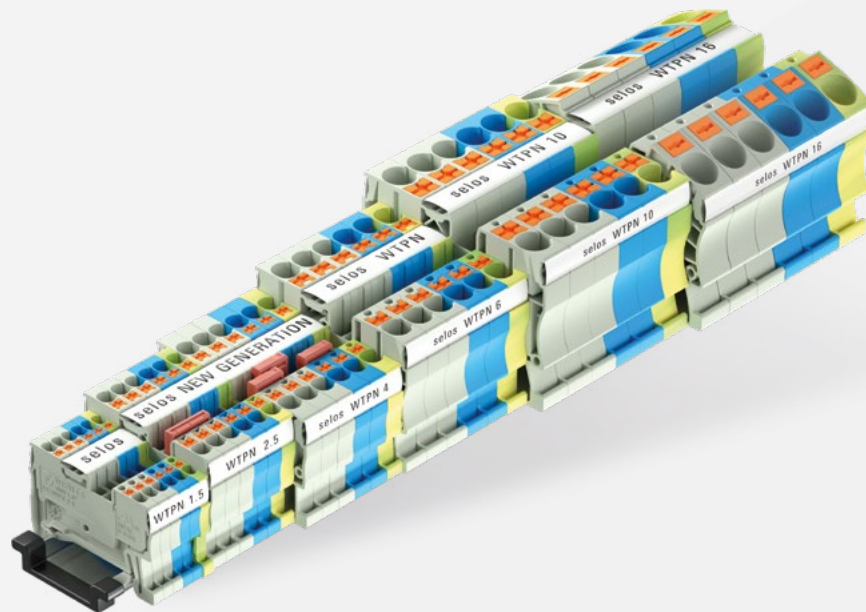
We deliver exactly the quantity you need – no more, no less. This reduces excess inventory and helps you save on warehousing and logistics expenses.

READY TO INSTALL

Pre-tested and fully configured, our terminal block assemblies are customized to your exact requirements. Delivered ready to use, they eliminate extra assembly steps – saving you time and effort.

SELOS WTPN – DIN RAIL TERMINAL BLOCKS WITH **PUSH-IN CONNECTION.**

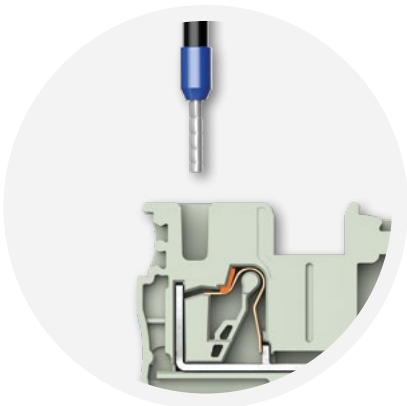
Effortless wiring – with or without tools! selos WTPN terminal blocks feature intuitive push-in technology for fast, tool-free wire termination. Solid or ferruled conductors can be inserted directly without a tool. To further accelerate installation time, the series offers push-in jumpers, continuous strip marking, planning and design software, labeling systems, and much more.



FEATURES:

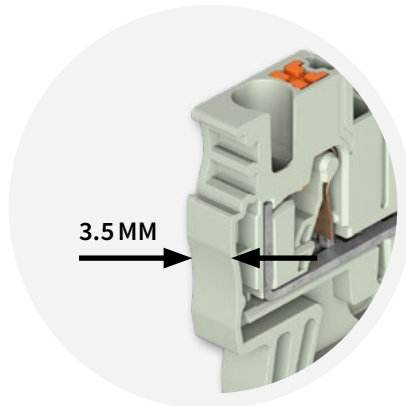
- + 2, 3 or 4 connection feed through and ground terminal blocks
- + 2 or 3 tier, multi-level terminal blocks
- + Fuse, knife disconnect, and current transformer disconnect terminal blocks
- + Special function terminal blocks – sensor, motor, diode, pluggable and more
- + Support wires from 0.14 mm² to 25 mm² / 26 AWG to 4 AWG up to 82 amps
- + And a 3.5 mm wide terminal block rated up to 300 V, 15 A, 14 AWG, IEC 500 V, 17,5 A, 0.14 to 1.5 mm² as perfect fit for small spaces





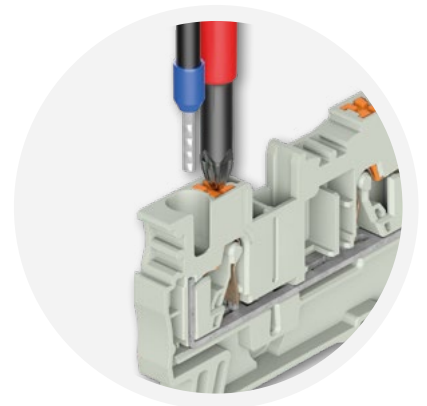
CONNECT WITH OR WITHOUT TOOLS

- Push-in ferruled or solid conductors – no tools required
- Terminate stranded conductors with Flat or Phillips screwdriver
- Intuitive, vibration-proof wire termination



SPACE SAVING DESIGN

- High density at just 3.5 mm rated up to 300 V, 15 A, 14 AWG
- Multi-conductor and multi-tier with up to 66% space savings
- Dual row jumper slots for easy comming (daisy chain)



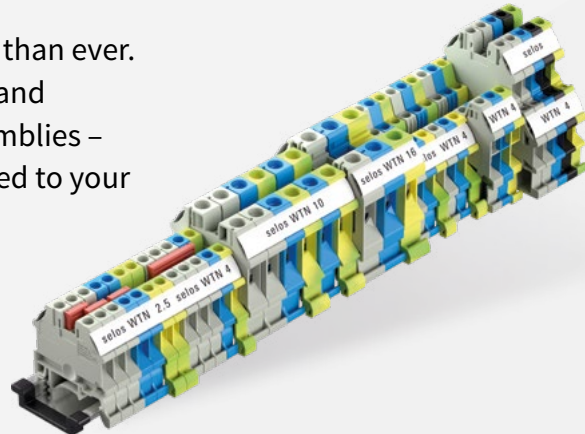
INTEGRATED FEATURES

- Built-in test point for troubleshooting and commissioning
- Integrated push-button allows release of all conductor types with Flat or Phillips screwdriver
- Screwless, snap on ground terminal blocks

selos WTPN		1.5 mm ² / AWG 14				2.5 mm ² / AWG 12				4 mm ² / AWG 10				6 mm ² / AWG 8				10 mm ² / AWG 6		16 mm ² / AWG 4			
FEED-THROUGH TERMINALS																							
Part. No.:		5D.202.0055.0/6	5D.202.9055.0			5D.203.0055.0/6	5D.203.9055.0					5D.204.0055.0/6	5D.204.9055.0			5D.206.0055.0/6	5D.206.9055.0			5D.210.0055.0/6	5D.210.9055.0	5D.216.0055.0/6	5D.216.9055.0
Type:		WTPN 1.5 -/BL	WTPN 1.5 PE			WTPN 2.5 -/BL	WTPN 2.5 PE					WTPN 4 -/BL	WTPN 4 PE			WTPN 6 -/BL	WTPN 6 PE			WTPN 10 -/BL	WTPN 10 PE	WTPN 16 -/BL	WTPN 16 PE
Cross section: max. mm ² / AWG		1.5 mm ² / 14	1.5 mm ² / 14			2.5 mm ² / 12	2.5 mm ² / 12					4 mm ² / 10	4 mm ² / 10			6 mm ² / 8	6 mm ² / 8			10 mm ² / 6	10 mm ² / 6	16 mm ² / 4	10 mm ² / 4
Current: IEC/UL (CAN+USA) (A)		17.5 / 15	17.5 / 15			24 / 20	24 / 20					32 / 30	32 / 30			41 / 40	41 / 40			57 / 60	57 / 60	- / 82	- / 82
Voltage: IEC/UL (CAN+USA) (V)		800 / 300	500 / 300			800 / 600	800 / 600					800 / 600	800 / 600			- / 600	1000 / 600			1000 / 600	1000 / 600	- / 600	1000 / 600
Color:		● ●	●			● ●	●					● ●	●			● ●	●			● ●	●	● ●	●
MULTI-CONDUCTOR TERMINALS																							
Part. No.:		5D.202.5055.0/6	5D.202.9155.0	5D.202.5155.0/6	5D.202.9255.0	5D.203.5055.0/6	5D.203.9155.0	5D.203.5155.0/6	5D.203.9255.0			5D.204.5055.0/6	5D.204.9155.0	5D.204.5155.0/6	5D.204.9255.0	5D.206.5055.0/6	5D.206.9155.0	5D.206.5155.0/6	5D.206.9255.0	5D.210.5055.0/6	5D.210.9155.0		
Type:		WTPN 1.5 D1/2 -/BL	WTPN 1.5 D1/2 PE	WTPN 1.5 D2/2 -/BL	WTPN 1.5 D2/2 PE	WTPN 2.5 D1/2 -/BL	WTPN 2.5 D1/2 PE	WTPN 2.5 D2/2 -/BL	WTPN 2.5 D2/2 PE			WTPN 4 D1/2 -/BL	WTPN 4 D1/2 PE	WTPN 4 D2/2 -/BL	WTPN 4 D2/2 PE	WTPN 6 D1/2 -/BL	WTPN 6 D1/2 PE	WTPN 6 D2/2 -/BL	WTPN 6 D2/2 PE	WTPN 10 D1/2 -/BL	WTPN 10 D1/2 PE		
Cross section: max. mm ² / AWG		1.5 mm ² / 14	1.5 mm ² / 14	1.5 mm ² / 14	1.5 mm ² / 14	2.5 mm ² / 12	2.5 mm ² / 12	2.5 mm ² / 12	2.5 mm ² / 12			4 mm ² / 10	4 mm ² / 10	4 mm ² / 10	4 mm ² / 10	6 mm ² / 8	6 mm ² / 8	6 mm ² / 8	6 mm ² / 8	10 mm ² / 6	10 mm ² / 6		
Current: IEC/UL (CAN+USA) (A)		17.5 / 15	17.5 / 15	17.5 / 15	17.5 / 15	24 / 20	24 / 20	24 / 20	24 / 20			32 / 30	32 / 30	32 / 30	32 / 30	41 / 40	41 / 40	41 / 40	41 / 40	57 / 60	57 / 60		
Voltage: IEC/UL (CAN+USA) (V)		500 / 300	500 / 300	500 / 300	500 / 300	800 / 600	800 / 600	800 / 600	800 / 600			800 / 600	800 / 600	800 / 600	800 / 600	- / 600	1000 / 600	1000 / 600	1000 / 600	1000 / 600	1000 / 600	1000 / 600	1000 / 600
Color:		● ●	●	● ●	●	● ●	●	● ●	●			● ●	●	● ●	●	● ●	●	● ●	●	● ●	●	● ●	●
MULTI-TIER TERMINALS																							
Part. No.:		5D.202.7055.0	5D.202.6755.0	5D.202.6955.1	5D.202.9655.0	5D.203.7055.0	5D.203.6755.0	5D.203.6955.1	5D.203.9655.0	5D.203.7155.0	5D.203.6855.1	5D.203.9755.0	5D.203.6655.0	5D.204.7055.0	5D.204.6955.1	5D.204.9655.0	5D.204.9755.0						
Type:		WTPN 1.5 E	WTPN 1.5 EL PE	WTPN 1.5 E VB	WTPN 1.5 E PE	WTPN 2.5 E	WTPN 2.5 EL PE	WTPN 2.5 E VB	WTPN 2.5 E PE	WTPN 2.5 E3	WTPN 2.5 E3 VB	WTPN 2.5 E3 PE	WTPN 2.5 E3L PE	WTPN 4 E	WTPN 4 E VB	WTPN 4 E PE	WTPN 4 EL PE						
Cross section: max. mm ² / AWG		1.5 mm ² / 14	1.5 mm ² / 14	1.5 mm ² / 14	1.5 mm ² / 14	2.5 mm ² / 12	2.5 mm ² / 12	2.5 mm ² / 12	2.5 mm ² / 12	2.5 mm ² / 12	2.5 mm ² / 12	2.5 mm ² / 12	2.5 mm ² / 12	4 mm ² / 10	4 mm ² / 10	4 mm ² / 10	4 mm ² / 10						
Current: IEC/UL (CAN+USA) (A)		17.5 / 15	17.5 / 15	17.5 / 15	17.5 / 15	22 / 20	22 / 20	22 / 20	24 / 20	24 / 20	24 / 20	24 / 20	20 / 20	28 / 30	28 / 30	28 / 30	- / 30						
Voltage: IEC/UL (CAN+USA) (V)		500 / 300	500 / 300	500 / 300	500 / 300	500 / 300	500 / 300	500 / 300	500 / 300	500 / 300	500 / 300	500 / 300	500 / 300	500 / 300	500 / 300	500 / 300	- / 300						
Color:		●	●	●	●	●	●	●	●	●	●	●	●	●	●	●	●						
FUNCTION TERMINALS																							
Part. No.:						5D.203.4155.0	5D.203.2055.0	5D.203.4055.0	5D.203.44/4555.0	5D.203.2555.0	5D.203.9355.0	5D.203.9855.0	5D.204.4155.0	5D.204.2055.0	5D.204.4055.0	5D.204.2355.0	5D.204.8555.0	5D.206.85/8655.0	5D.206.42/4355.0	5D.206.44/4555.0			
Type:						WTPN 2.5 TK	WTPN 2.5 TKM	WTPN 2.5 TKG	WTPN 2.5 FSI 5X20	WTPN 2.5 P/F	WTPN 2.5 P/F PE	WTPN 2.5 E P/F PE	WTPN 4 TK	WTPN 4 TKM	WTPN 4 TKG	WTPN 4 TKGM	WTPN 4 E3L SPE	WTPN 6 D05/D06	WTPN 6 FSI	WTPN 6 FSI 6.3K32			
Cross section: max. mm ² / AWG						2.5 mm ² / 12	2.5 mm ² / 12	2.5 mm ² / 12	2.5 mm ² / 12	2.5 mm ² / 12	2.5 mm ² / 12	2.5 mm ² / 12	4 mm ² / 10	4 mm ² / 10	4 mm ² / 10	4 mm ² / 10	4 mm ² / 10	6 mm ² / 8	4 mm ² / 10	10 / 10			
Current: IEC/UL (CAN+USA) (A)						20 / 18	20 / 16	6 / 6	6.3 / 10	24 / 20	24 / 20	20 / 20	20 / 20	20 / 20	20 / 20	32 / 30	1.3 / 1.3	30 / 25	10 / 10				
Voltage: IEC/UL (CAN+USA) (V)						400 / 300	400 / 300	400 / 300	400 / 300	800 / 600	800 / 600	500 / 300	500 / 300	500 / 300	500 / 300	500 / 300	800 / 600	1000 / 600	400 / 300	300 / 300			
Color:						●	●	●	●	●	●	●	●	●	●	●	●	●	●	●			
Part. No.:						5D.203.86/8755.0	5D.203.88/8955.0	5D.203.4355.0	5D.203.2255.0	5D.203.4255.0	5D.203.46/4755.0	5D.203.2655.0	5D.203.6555.1	5D.204.42/4355.0	5D.204.44/4555.0	5D.204.46/4755.0	5D.204.48/4955.0						
Type:						WTPN 2.5 E D01/D02	WTPN 2.5 E D03/D04	WTPN 2.5 E TK	WTPN 2.5 E TKM	WTPN 2.5 E TKG	WTPN 2.5 E FSI 5X20	WTPN 2.5 E P/F	WTPN 2.5 E P/F VB	WTPN 4 FSI 5X20	WTPN 4 FSI 5X20	WTPN 4 FSI 5X20	WTPN 4 FSI	WTPN 4 FSI 5X20	WTPN 6 D05/D06	WTPN 6 FSI	WTPN 6 FSI 6.3K32		
Cross section: max. mm ² / AWG						2.5 mm ² / 12	2.5 mm ² / 12	2.5 mm ² / 12	2.5 mm ² / 12	2.5 mm ² / 12	2.5 mm ² / 12	2.5 mm ² / 12	2.5 mm ² / 12	4 mm ² / 10	4 mm ² / 10	4 mm ² / 10	4 mm ² / 10	6 mm ² / 8	4 mm ² / 10	10 / 10			
Current: IEC/UL (CAN+USA) (A)						0.5 / 0.5	0.5 / 0.5	20 / 18	20 / 18	20 / 20	6.3 / 10	24 / 20	24 / 20	6.3 / 6.3	6.3 / 6.3	10 / 15	6.3 / 6.3	1.3 / 1.3	30 / 25	10 / 10			
Voltage: IEC/UL (CAN+USA) (V)						500 / 300	500 / 300	400 / 300	400 / 300	400 / 300	400 / 300	500 / 300	500 / 300	500 / 300	500 / 300	500 / 300	500 / 300	1000 / 600	400 / 300	300 / 300			
Color:						●	●	●	●	●	●	●	●	●	●	●	●	●	●	●			

CUSTOMIZED PRE-ASSEMBLED SOLUTIONS

Make control cabinet integration easier than ever. Wieland Electric offers fully configured and assembled DIN rail terminal block assemblies – complete with wiring, if needed – tailored to your exact specifications.



SELOS PRINT – LABELING MADE EASY

With selos PRINT, you can handle everything from individual marking plates for push-buttons to complete terminal block marker cards with speed and precision. But it doesn't stop there – selos PRINT also lets you print adhesive labels, cable markers and more for any control cabinet application, delivering a complete, professional marking solution.



- + Thermal transfer, Laser or Inkjet printing covers every application
- + High quality, fast printing and durable marking
- + Endless printing with our new printer



INFO TO GO

All brochures from Wieland Electric are available for download on our website.



<https://www.wieland-electric.com/en/support/downloads>

Interesting for you



DIN RAIL TERMINAL BLOCKS

with Screw- and Push-In
Connection Technologies.
Part No. 0500.1



ALL AT A GLANCE

Company, solutions + products
at a glance.
Part No. 0902.1



Wieland on YouTube

See our solutions
in motion



<https://www.youtube.com/user/WielandElectric>



Technical consultation

Industry Solutions



Phone: +49 951 9324-991

Email: industry@wieland-electric.com

Worldwide: <https://wie.li/contactinternational>



ONLY ONE TAP AWAY

Our Wieland E-Shop

In our online store you will find
all the information about our products,
prices, and technical data.

Order easily and conveniently online,
and check availability.

<https://eshop.wieland-electric.com>

Scan QR code –
view products in the
E-SHOP.





wieland

HEADQUARTERS

Wieland Electric GmbH
Brennerstraße 10 – 14
96052 Bamberg · Germany

Phone +49 951 9324-0
Fax +49 951 9324-198
info@wieland-electric.com



0511.1 S 02/26

Represented in over 70 countries worldwide:

www.wieland-electric.com